

# High Flow Regulator

# 107 Series

450 Bar  
Max Inlet

0-414 Bar  
Outlet Range

Liquid  
or Gas

Fine Pressure  
Control

Self Venting  
option

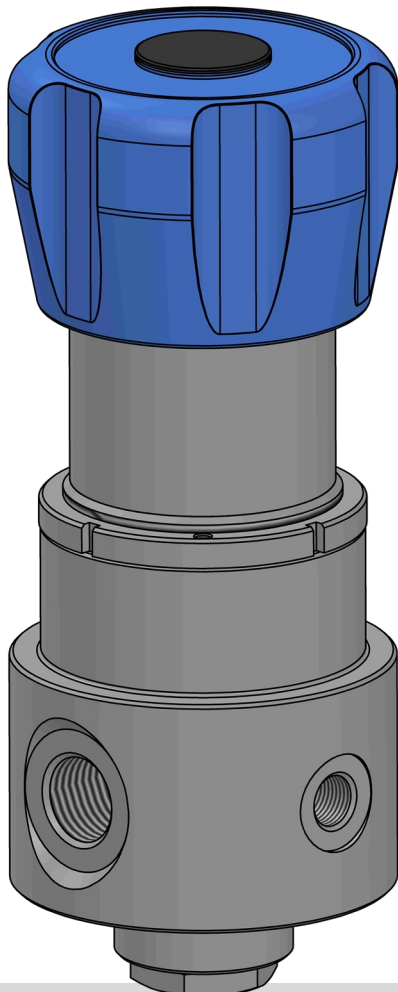
## 107 Series—High flow regulator

A medium to high flow pressure regulator offering accurate, repeatable pressure control over a wide range of outlet pressures.

Downstream pressure release options available including captured vent for hydraulic oil and other toxic media as well as non-venting and vent-to-atmosphere options.

Inlet / outlet port options include: 1/2" and 3/4" in BSPP or NPT threads, plus material choices are available that are compatible with most liquid / gas applications .

Modular construction allows for servicing in situ, meaning minimal service downtime with spares being stocked and available at short notice, making this regulator the perfect choices for most applications which require a medium to high flow rate.



### Specification

Max Inlet Pressure	450 Bar
Outlet Pressure Range	0 – 414 Bar
Cv	0.9 or 2.0
Design Proof Pressure	200% MAWP
Seat Leakage	ANSI/FCI 70-3
Handwheel	Aluminium

### Features and benefits

- Suitable for Liquid and gas applications
- Material and porting options available
- Reliable, time proven design
- Modular construction allows easy servicing
- Fine control over a range of outlet pressures

### Options

Materials of Construction	Stainless Steel 316
	Stainless Steel 316L (H <sub>2</sub> service)
	Brass/Bronze (O <sub>2</sub> service)
	Aluminium Alloy 6082 T6
Porting	1/2" BSP/NPT
	3/4" BSP/NPT
Self Venting	Option available
	1/4" BSP/NPT Ports
Gauges	Option available
	1/4" BSP/NPT Ports

**JRE Precision Ltd**  
t/a Presreg Valves

Designed and manufactured in the UK

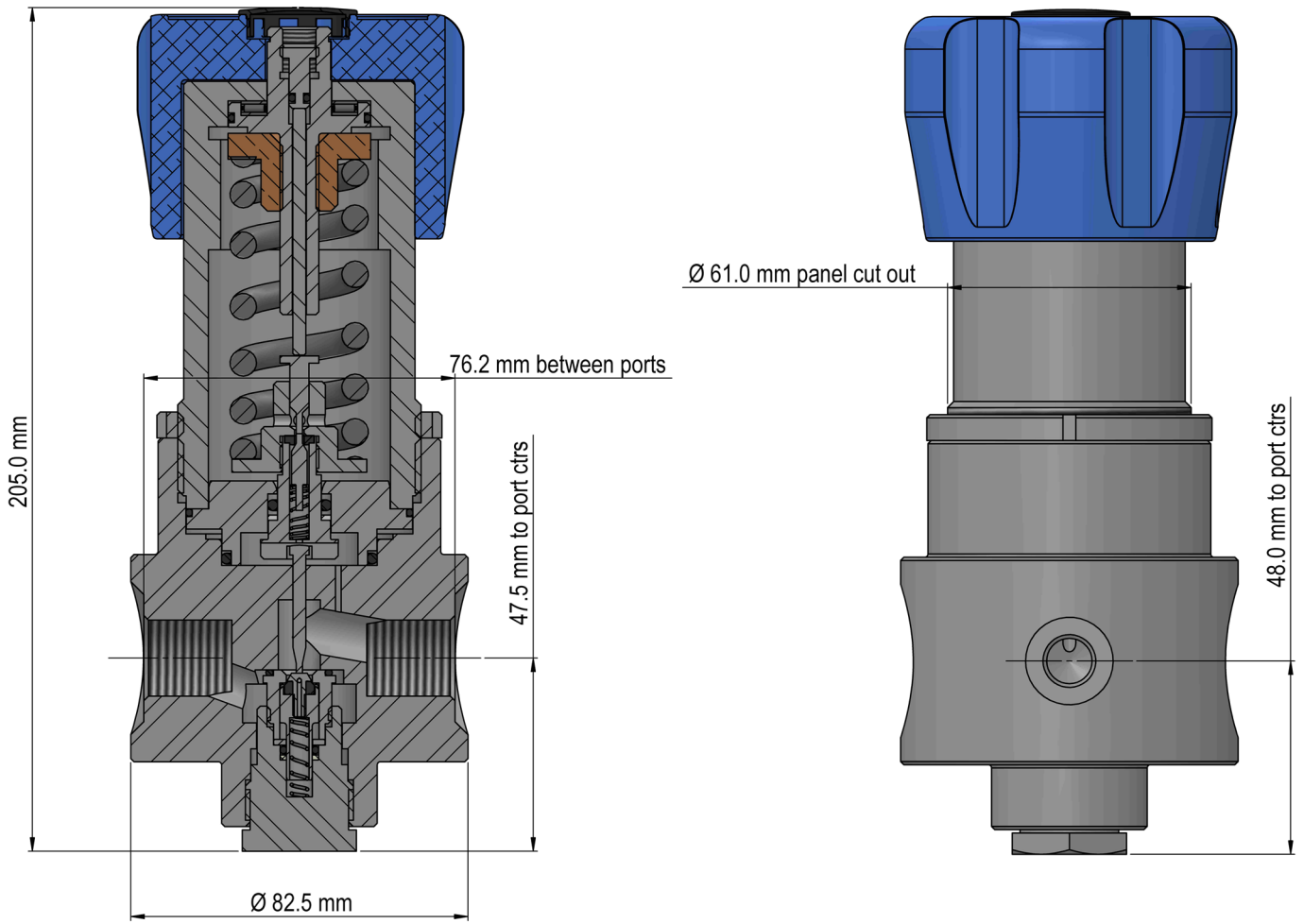


18 Bakewell Road, Loughborough  
Leicestershire, England LE11 5QY

Tel: 01509 610580 Email: info@jreuk.com Web: presreg.co.uk

# High Flow Regulator

# 107 Series



Spares and service kits available, please contact our sales office or visit our website for details.

<b>A</b>	0 — 17 bar
<b>B</b>	0 — 35 bar
<b>C</b>	0 — 69 bar
<b>D</b>	0 — 138 bar
<b>E</b>	0 — 240 bar
<b>F</b>	0 — 414 bar

**107 — 0 0 0 0 0 0 X**

<b>W</b>	Gauge Ports ( <b>WI</b> inlet only, <b>WO</b> outlet only)
<b>X</b>	Fixing bracket
<b>Y</b>	Pre-set pressure lock
<b>Z</b>	Spindle Locking Nut

<b>1</b>	Stainless Steel 303
<b>2</b>	Aluminium alloy 6082 T6
<b>3</b>	Brass/Bronze (O <sub>2</sub> service)
<b>4</b>	Stainless Steel 316L (H <sub>2</sub> service)
<b>5</b>	Stainless Steel 316
<b>1</b>	3/8" Balanced Main Valve (2.0 Cv)
<b>2</b>	1/4" Balanced Main Valve (0.9 Cv)

<b>1</b>	NPT
<b>2</b>	BSP
<b>1</b>	1/2"
<b>2</b>	3/4"
<b>1</b>	Non-Venting
<b>2</b>	Vent to Atmosphere
<b>3</b>	Captured Vent (1/4" NPT)

All of our products are constantly assessed for possible improvements and the specifications here are subject to change without notice.

