

# Y-configuration filter

# 202 Series

420 bar  
max inlet

Y  
Configuration

High flow  
capacity

Additional  
options

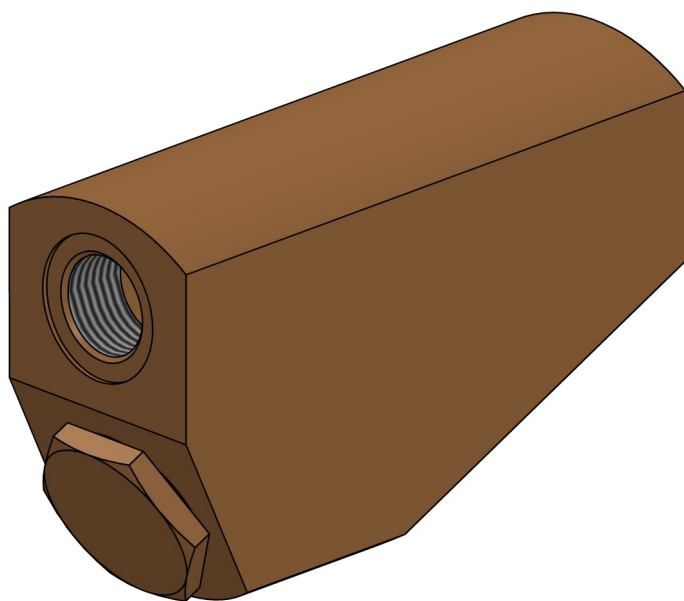
Liquid or gas  
service

The 202 series Y-configuration filter is a high flow, high pressure filter.

Utilising a rugged and durable design, its y shape configuration allows for easy element exchange without removing the filter from the line.

Suitable for LIQUID or GAS service, the 202 series comes with Porting, filtration and material options to suit most applications. Including material options for OXYGEN, HELIUM, HYDROGEN, ETHYLENE, and CO<sub>2</sub> service.

Spares kits available



## Specification

Max Inlet Pressure	420 Bar
Cv	Varies depending on filter element
Design Proof Pressure	200% MAWP
Filter element type	Sintered bronze
Dimensions	Ø 101.0 mm x 160 mm
Weight	3.9 g

## Features and benefits

- High flow capacity
- Suitable for liquid or gas service
- A variety of Material and porting options available
- Rugged, durable design
- Choice of filtration levels: 2.5 to 60 micron
- Easy element exchange due to Y-configuration

## Options

Materials of Construction	Stainless Steel 316 (H <sub>2</sub> service)
	Brass/Bronze (O <sub>2</sub> service)
	Aluminium alloy 6082T6
Porting	3/4" BSP/NPT
	1" BSP/NPT
	Bespoke

A range of spares kits are available, please contact our sales office or visit our website for details.

Regular service schedule recommended.

**JRE Precision Ltd**

t/a Presreg Valves

Designed and manufactured in the UK



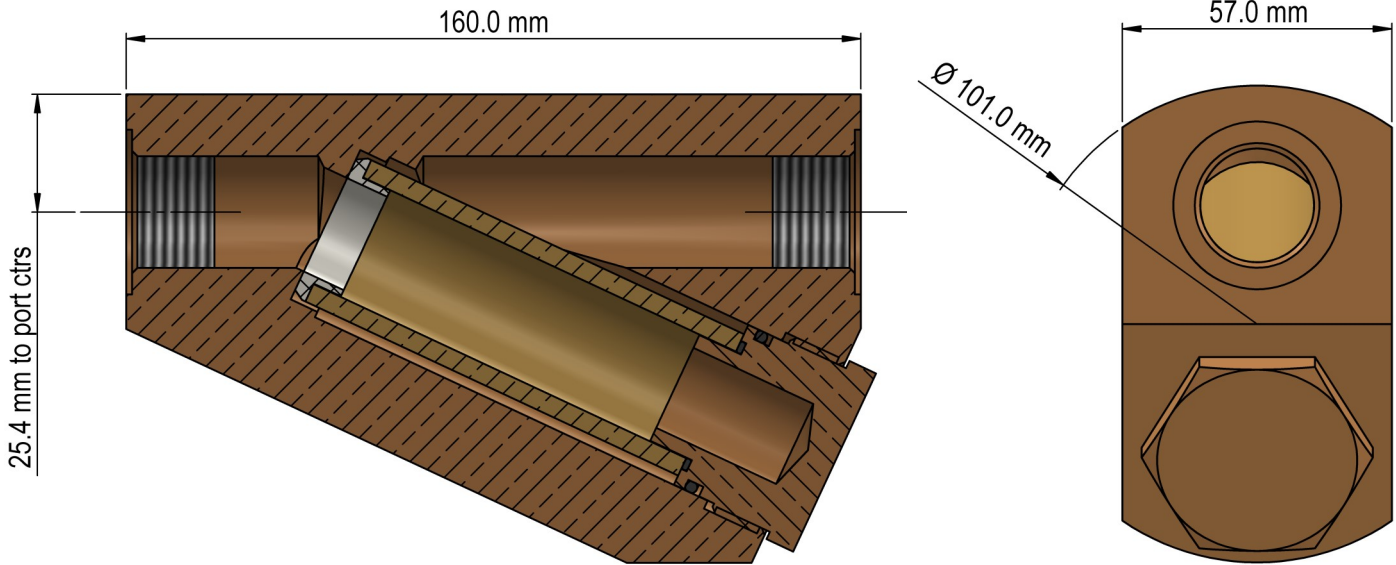
18 Bakewell Road, Loughborough

Leicestershire, England LE11 5QY

Tel: 01509 610580 Email: info@jreuk.com Web: presreg.com

# Specification and Ordering info

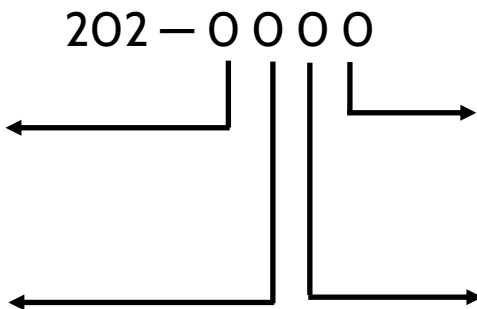
# 202 Series



*Spares and service kits available, please contact our sales office or visit our website for details.*

Material of construction	
1	Stainless Steel 316
2	Aluminium alloy 6082T6
3	Brass/Bronze (O2 Service)

Port size	
1	3/4"
2	1"
3	Bespoke



Filtration level			
1	2.5µ (Cv 3.4)	5	30µ (Cv 6.6)
2	5µ (Cv 4.0)	6	40µ (Cv 6.7)
3	12µ (Cv 5.4)	7	60µ (Cv 7.2)
4	25µ (Cv 6.4)		

Port thread form	
1	BSP
2	NPT
3	Bespoke

*Example part number: 202-3214: Brass/bronze construction, female 1" BSP ports, 25µ filter*

*All of our products are constantly assessed for possible improvements and the specifications listed here are subject to change. Please ensure you have the latest issue...*

