

# Pressure maintaining regulator

# 150 Series

690 bar  
max inlet

0-690 bar  
outlet range

Modular  
design

Options  
available

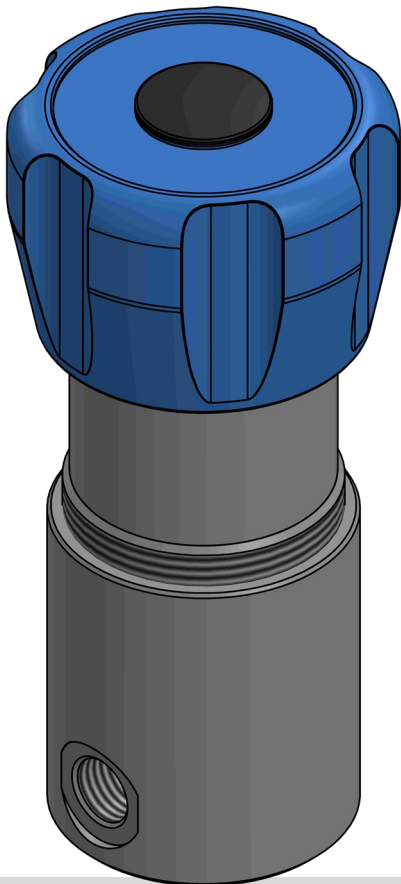
Liquid or gas  
service

The 150 series is a comprehensive range of hand adjustable up-stream pressure maintaining regulators, offering a choice of different sensing capsules and high/low flow main valve modular alternatives.

These regulators are capable of providing accurate repeatable up-stream pressure control over a wide exhaust flow range.

Choice of materials compatible with most common liquid / gas applications, including SS316L for Hydrogen service and Brass/bronze for Oxygen service.

Special options for individual service requirements are available, and various operation feature additions offered making this a general purpose regulator that will fit most applications.



## Specification

Max Inlet Pressure	690 Bar
Outlet Pressure Range	0 – 483 Bar
Cv	0.7
Design Proof Pressure	200% MAWP
Seat Leakage	ANSI/FCI 70-3

## Features and benefits

- Suitable for Liquid and gas applications
- Compact modular design
- Low handwheel adjustment torque
- 7 pressure sensing ranges ensure fine control
- Optional extras including gauge ports, mounting brackets etc

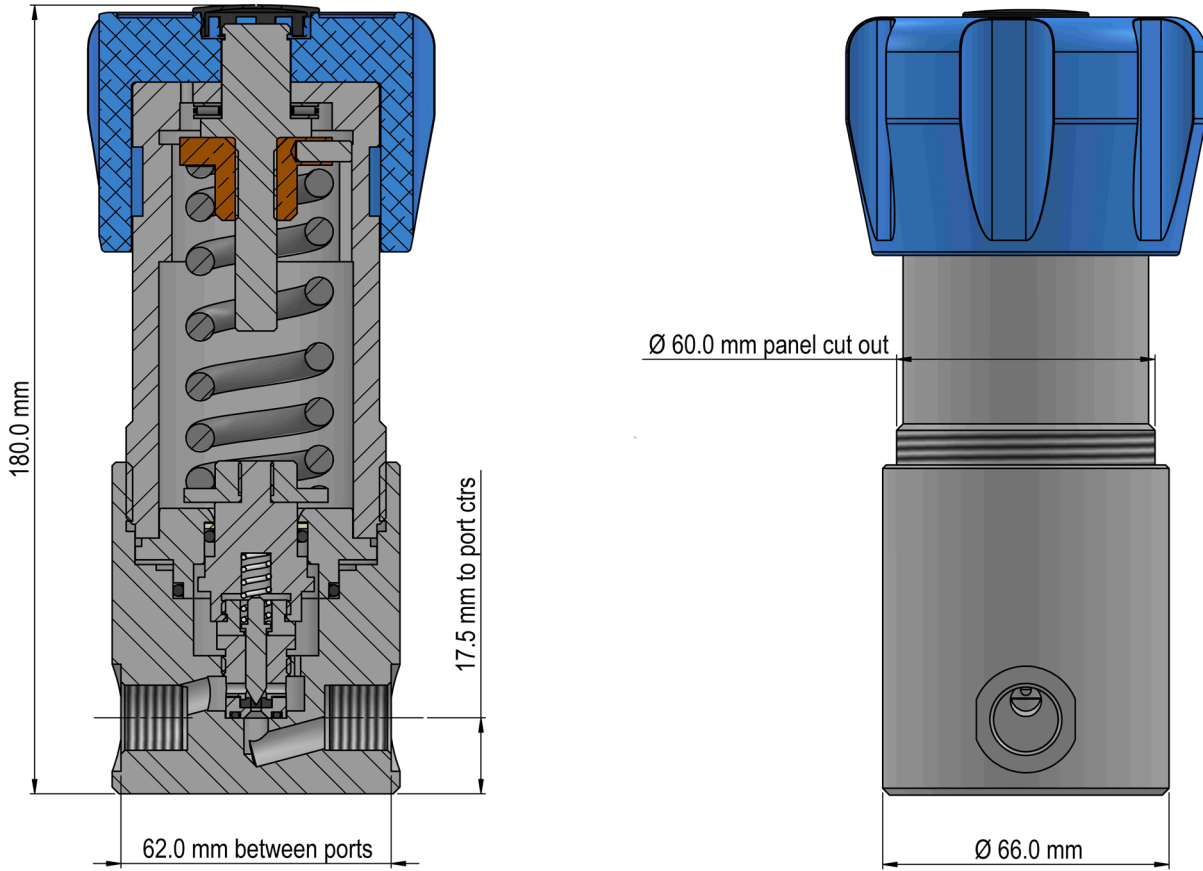
## Options

Materials of Construction	Stainless Steel 316L (H <sub>2</sub> service) Brass/Bronze (O <sub>2</sub> service) Aluminium alloy 6082T6
Porting	3/8" BSP/NPT 1/2" BSP/NPT
Gauges	Option available 1/4" BSP/NPT Ports



# Specification and Ordering info

# 150 Series

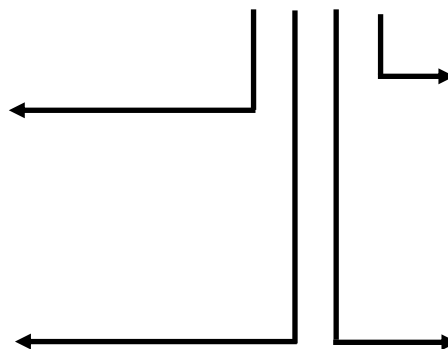


*Spares and service kits available, please contact our sales office or visit our website for details.*

Outlet pressure range	
A	0–17 bar
B	7–35 bar
C	14–69 bar
D	28–138 bar
E	62–241 bar
F	207–483 bar

Material of construction	
1	SS 316L (H <sub>2</sub> service)
2	Aluminium alloy 602 T6
3	Brass/Bronze (O <sub>2</sub> service)

150 – X 0 0 X



Optional extras	
W	Inlet & Outlet gauge ports
WI	Inlet gauge port only
WO	Outlet gauge port only
Z	Panel mounting bracket

Port options	
1	3/8" BSP
2	3/8" NPT
3	1/2" BSP
4	1/2" NPT

*All of our products are constantly assessed for possible improvements and the specifications listed here are subject to change. Please ensure you have the latest issue...*

