

Dome Loaded Pressure Regulator

102-B Series

**420 Bar
Max Inlet**

**0-420 Bar
Outlet Range**

**Suitable for
Oxygen service**

**Pilot loading
Option**

**External line
Loading**

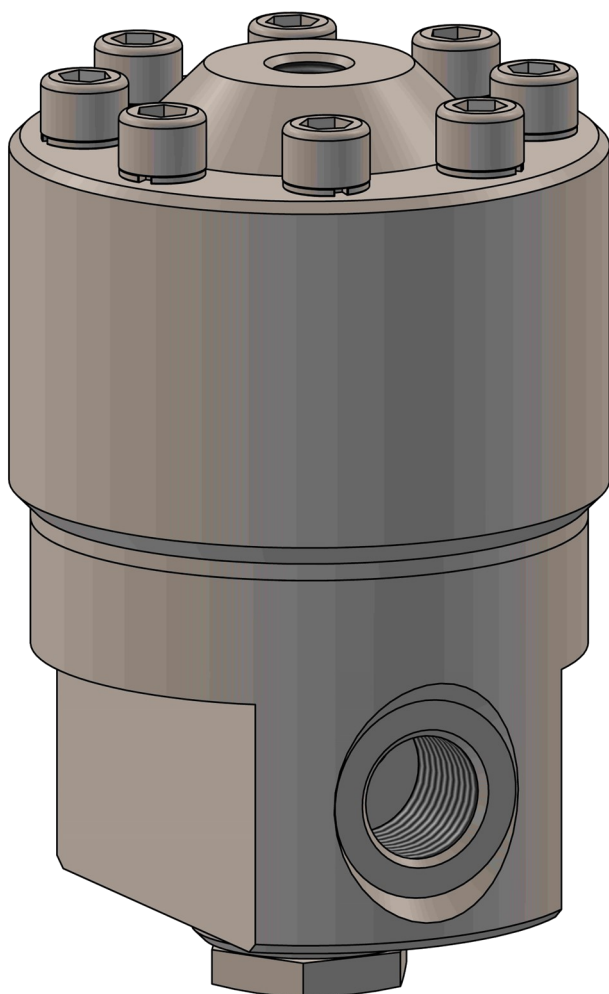
102-B Series—Dome loaded pressure regulator

The Presreg Valves 102-B series dome loaded regulator is a piston sensed dome loaded downstream pressure regulator. A large diameter piston gives accurate pressure control over a wide range of outlet pressures.

It's simplistic, proven design and rugged construction help give it excellent reliability and performance over a long service life.

Oxygen compatibility is offered with the aluminium bronze material option. Additional porting, and dome loading options make this regulator a versatile solution for many applications.

Bespoke material and porting configurations can also be supplied. Spares & service kits available.



Specification

Max Inlet Pressure	420 Bar
Outlet Pressure Range	0 — 420 Bar
Cv	0.9
Design Proof Pressure	200% MAWP
Seat Leakage	ANSI/FCI 70-3
Dome Loading options	Pilot line loading

Features and benefits

- **Reliable, time proven design**
- **Modular construction allows easy servicing**
- **Stainless steel and aluminium bronze material options available**
- **Large diameter piston sensing for accurate outlet pressure setting**
- **Porting options**
- **Spares available**

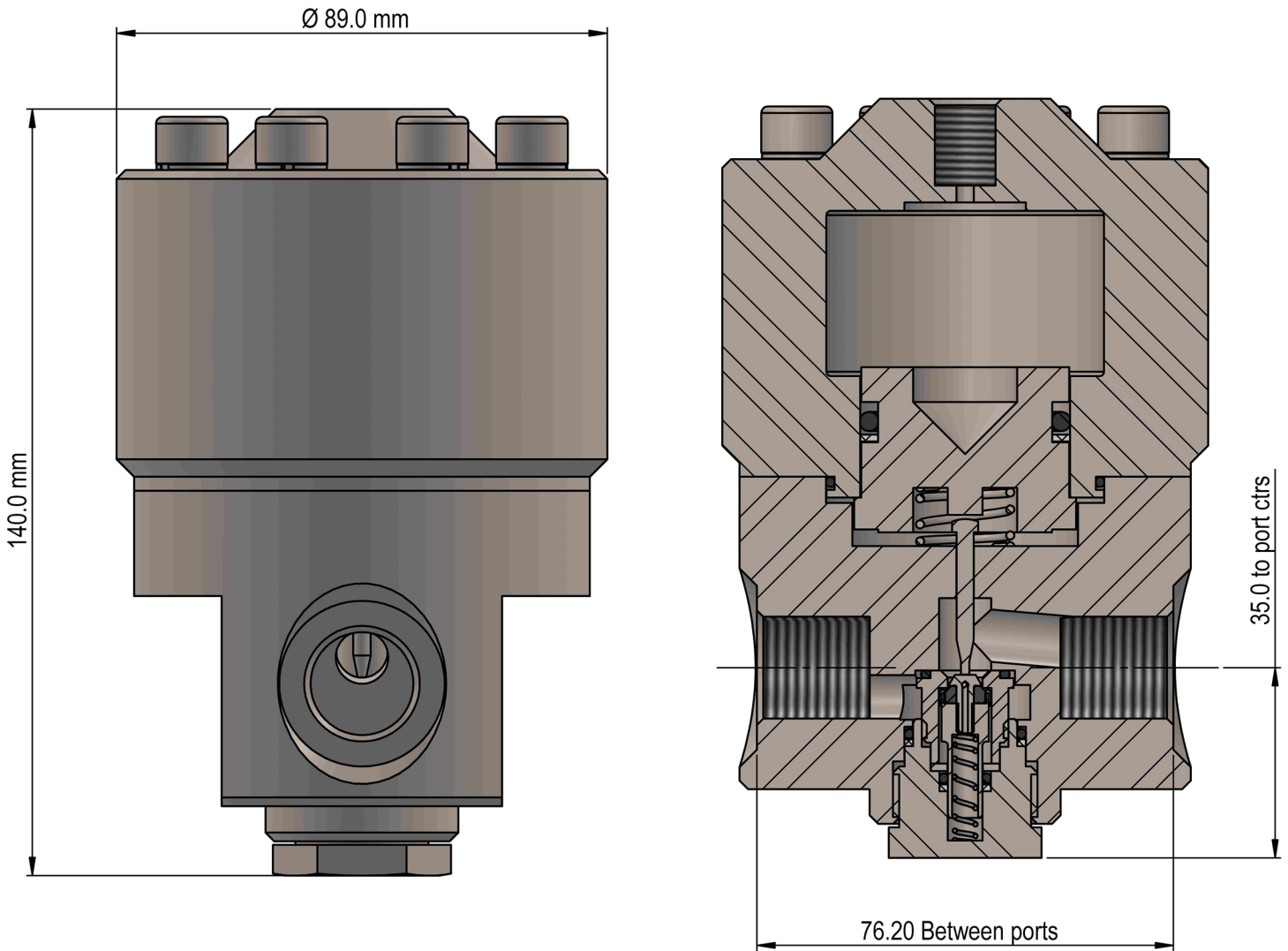
Options

Materials of Construction	Stainless Steel 316 Aluminium Bronze (O2 service)
Porting	1/2" BSP/NPT 3/8" BSP/NPT



Dome Loaded Pressure Regulator

102-B Series



Spares and service kits available, please contact our sales office or visit our website for details.

102 — B 0 1 0 0

Material of construction	
1	Stainless Steel 316
2	Aluminium Bronze (O2 Service)
3	Bespoke

Dome loading configuration	
1	Pilot line loaded

Port size	
1	1/2"
2	3/8
3	Bespoke

Port thread form	
1	BSP
2	NPT
3	BSPT
4	Bespoke

All of our products are constantly assessed for possible improvements and the specifications here are subject to change without notice.

