

# High accuracy Pressure Regulator

# 103 Series

100 bar  
max inlet

0-10 bar  
outlet range

High accuracy

Diaphragm  
controlled

Liquid or gas  
service

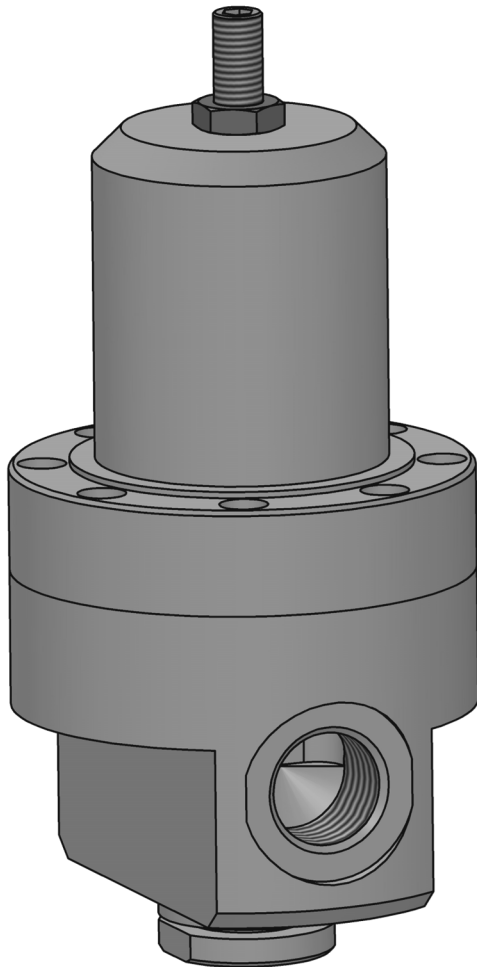
## 103 Series - High accuracy regulator

The 103 series utilises a rubber diaphragm, resulting in a very accurate control of outlet pressure.

A balanced main valve ensures a stable outlet pressure, even with a varying inlet pressure. A rubber main valve seat offers very reliable bubble tight shut off at all operating pressures.

A wide range of options are available, including materials to suit most medias, porting and gauge port options and a choice of handwheel or grub screw control. As with all of our regulators, bespoke solutions can be offered to suit most applications.

These advantages make this regulator the perfect choice when a high accuracy and medium flow rate is required.



### Specification

Max Inlet Pressure	100 Bar
Outlet Pressure Range	0 – 10 Bar
Cv	2.0
Design Proof Pressure	200% MAWP
Seat Leakage	ANSI/FCI 70-3

### Features and benefits

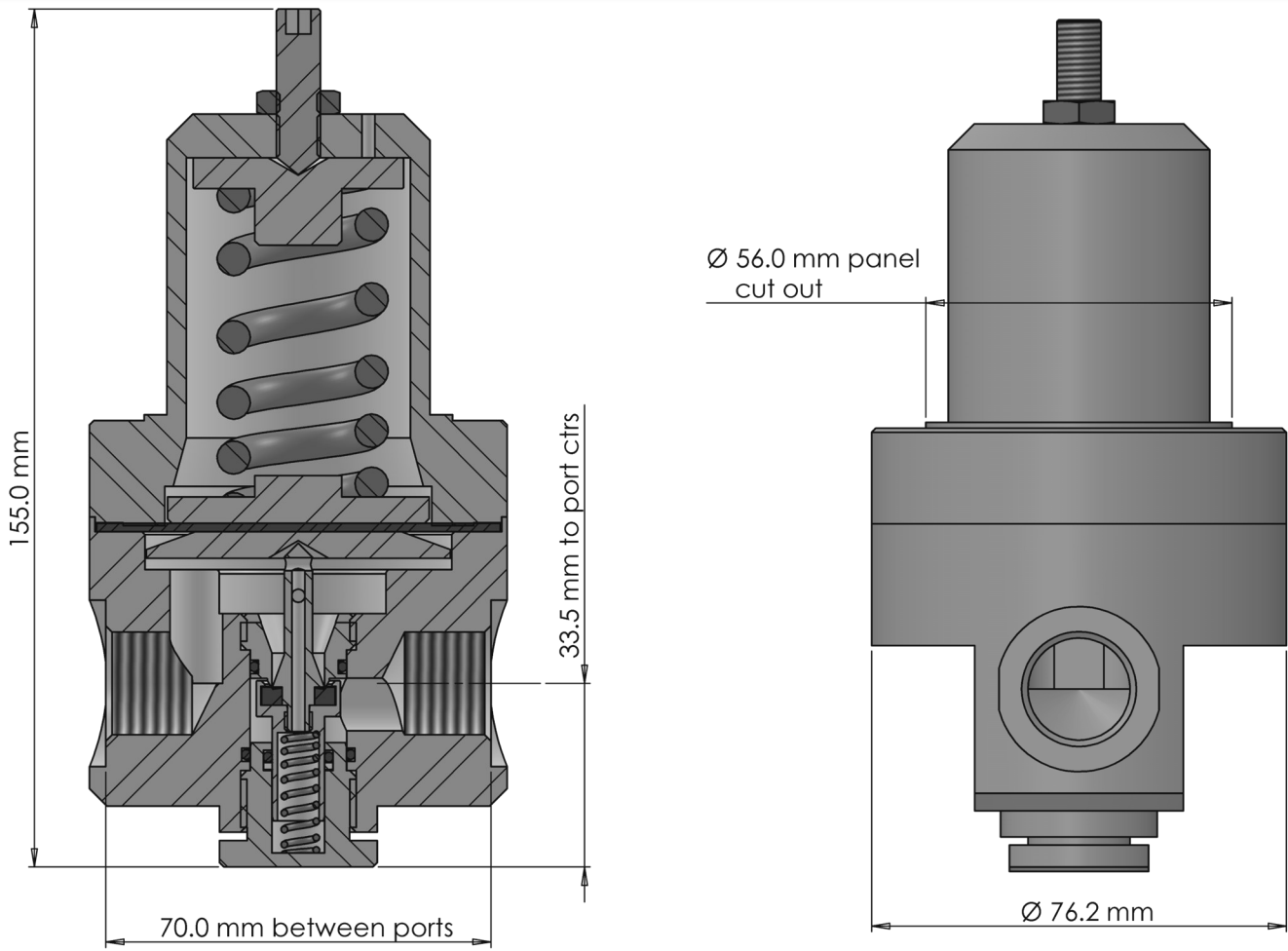
- **Rubber main valve seat** offers very reliable bubble tight shut off at all operating pressures
- **Large diameter diaphragm** provides very accurate pressure control over outlet pressure range.
- The **balanced main valve** will ensure steady outlet pressure, even with a varying inlet pressure.
- **Modular construction** allows **easy servicing**
- Multiple **material and porting options** available
- **Spares & service** kits available.

### Options

Materials of Construction	Stainless Steel 316 Brass CZ114 (O2 service) Aluminium alloy 6082T6
Porting	1/2" BSP/NPT 3/8" BSP/NPT
Control method	Handwheel Grubscrew
Gauges	None Inlet only Outlet only Inlet and outlet

# Specification and Ordering info

# 103 Series



*Spares and service kits available, please contact our sales office or visit our website for details.*

**103 - X 0 0 0 0 0**

Outlet pressure range	
A	0 - 3 bar
B	0 - 5 bar
C	0 - 10 bar

Material of construction	
1	Stainless Steel 316
2	Brass CZ114 (O2 Service)
3	Aluminium alloy 6082T6

Control method	
1	Handwheel
2	Grubscrew

Port size	
1	1/2"
2	3/8"
3	Bespoke

Gauge ports	
0	None
1	Inlet only
2	Outlet only
3	Inlet an Outlet

Port thread form	
1	BSP
2	NPT
3	BSPT
4	Bespoke

*All of our products are constantly assessed for possible improvements and the specifications listed here are subject to change. Please ensure you have the latest issue...*