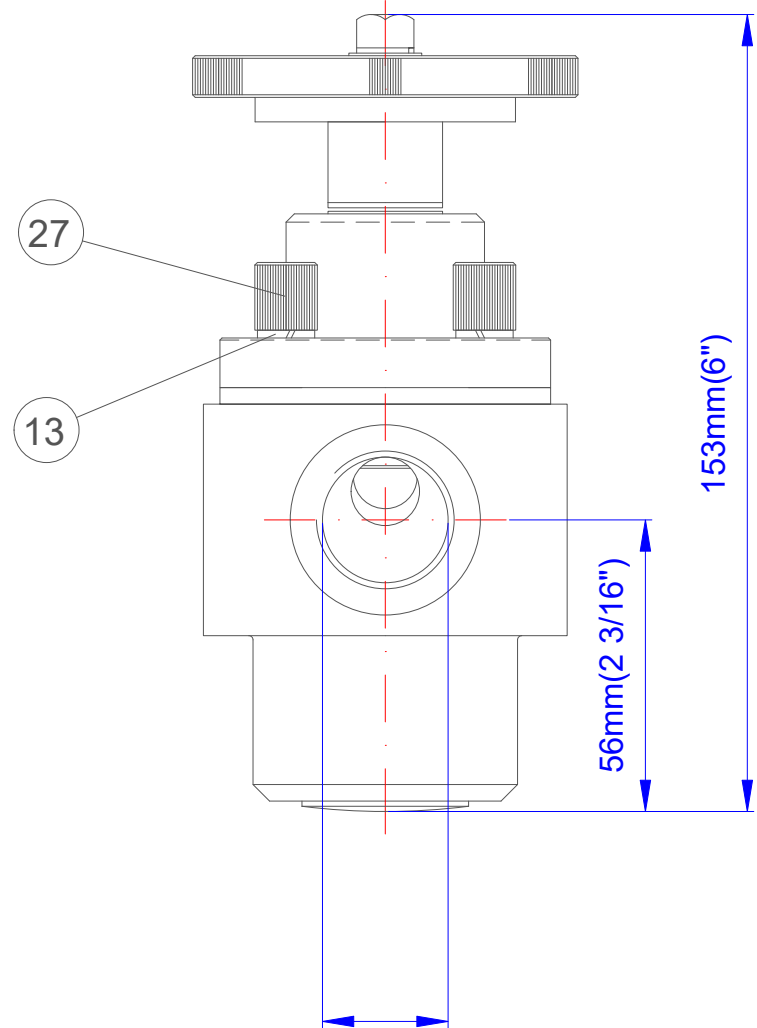


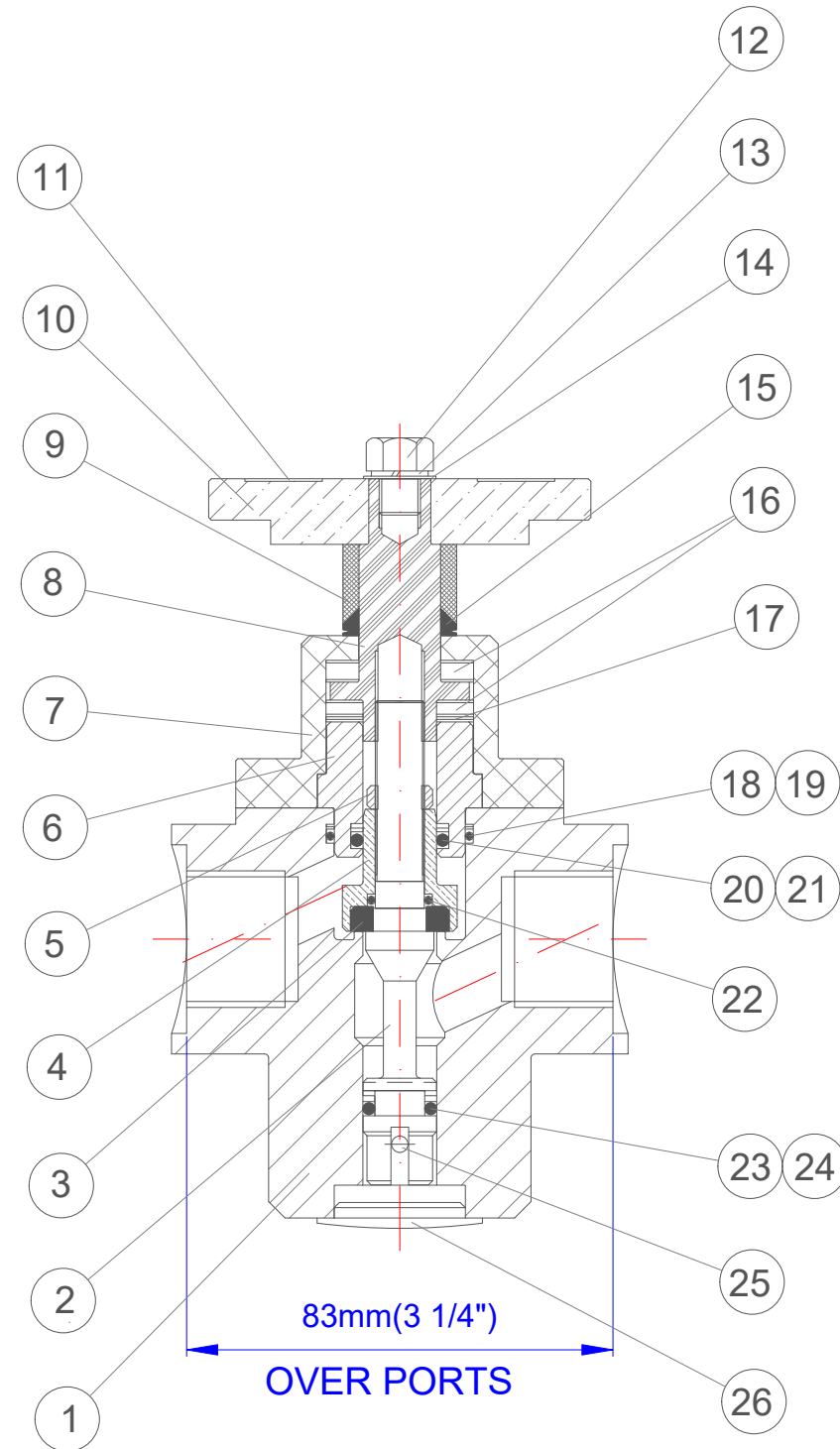
UNCONTROLLED COPY

DIMENSIONS APPROX ONLY



TO CUSTOMER'S REQUIREMENTS\*

\*3/4" N.P.T., B.S.. or B.S.P.T. etc



REC SPARE	ITEM No	PART No	DESCRIPTION	QTY	MATERIAL	FINISH
	1	401-2310/1or2	BODY	1	-	
	2	401-3203	SPINDLE	1	-	
*	3	401-3308	SEAT	1		
	4	401-3205	SEAT RETAINER	1	-	
	5	401-3306	NUT	1	-	
	6	401-3204	BUSH	1	-	
	7	401-3202	BONNET	1	-	
	8	401-3207	SHAFT	1	-	
	9	404-3209	WEATHER SLEEVE	1		
	10	404-3218	HANDWHEEL	1	-	
	11	402-3207/2	LABEL	1	-	
	12	M8*10LG	HEX.HD.SCREW	1	-	
	13	M8 SQ	SPRING WASHER	5	-	
	14	M8	PLAIN WASHER	1	-	
*	15	V16-S	VEE-RING SEAL	1		
	16	404-3211	BEARING ASS'Y	2	-	
	17	Ø27.7	LOAD WASHER	2	-	
*	18	022	O-RING	1	-	
*	19	022	BACK-UP RING	1		
*	20	113	O-RING	1	-	
*	21	113	BACK-UP RING	1		
*	22	012	O-RING	1		
*	23	110	O-RING	1	-	
*	24	110	BACK-UP RING	1	-	
	25	Ø1/8" x 1 1/4" LONG	SELOC PIN	1	-	
	26	62PP100	DUST CAP	1	-	
	27	M8 x 20 LONG	SOCKET CAP HD SCREW	4	-	
	28					
	29					
	30					
	31					
	32					
	33					
	34					
	35					
	36					
	37					
	38					
	39					
	40					
	41					
	42					
	43					
	44					

JRE PRECISION Ltd T/A  
 PRESREG ENGINEERING  
 18 BAKEWELL Rd, LOUGHBOROUGH  
 LEICESTERSHIRE, LE115 QY

MATL	DRAWN	SAD	MOD	20.08	27.12	bearings														
SPEC	TRACED		ISSUE	5	6	7														
FINISH	CHECKED	SAD	DATE			17/08 2020														

NOTES

MAX WORKING PRESS - 6000P.S.I.  
 HYD TEST PRESS - 9000P.S.I.  
 GAS TEST PRESS - 6600P.S.I.

SCALE NTS  
 DIMS IN

TITLE  
 TYPE 401 BALANCED H.P. STOP VALVE

DRAWING No.  
 401-2001/1or2