

Globe valve

401 Series

420 bar
max inlet

0-420 bar
outlet range

High flow
capacity

Globe
pattern

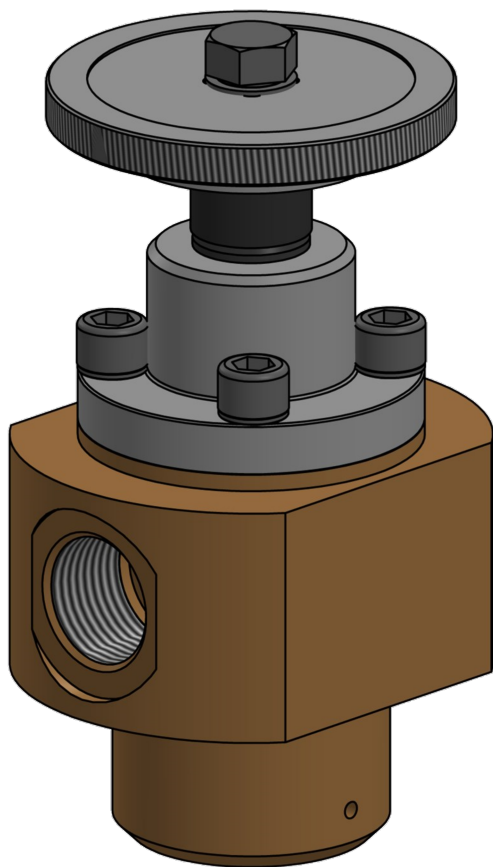
Liquid or gas
service

The 401 series range of high-pressure, stop valves provide ultimate shut-off control in the most demanding applications.

Suitable for both LIQUID and GAS duty these valves offer repeatable, positive shut-off and require only minimal hand torque to operate thanks to the balanced, non-rising stem design.

Coming with a 3/4" NB as standard, it is available with female ports, with sizes 3/4" through 1" and a choice of thread forms.

This rugged construction, globe pattern design provides years of trouble free service.



Specification

Max Inlet Pressure	420 Bar
Outlet Pressure Range	0 – 420 Bar
Cv	3.0
Design Proof Pressure	200% MAWP
Seat Leakage	ANSI/FCI 70-3
Dimensions	Ø 88.0 mm x 155.0 mm
Weight	2.8 Kg

Features and benefits

- Suitable for Liquid and gas applications
- Positive shut off up to 420 bar
- A variety of Material and porting options available
- Rugged, reliable design
- Non-rising stem design requiring minimal hand torque to operate
- 3/4" Nominal bore

Options

Materials of Construction	Stainless Steel 316 (H ₂ service) Brass/Bronze (O ₂ service) Aluminium alloy 6082T6
Porting	3/4" BSP/NPT 1" BSP/NPT

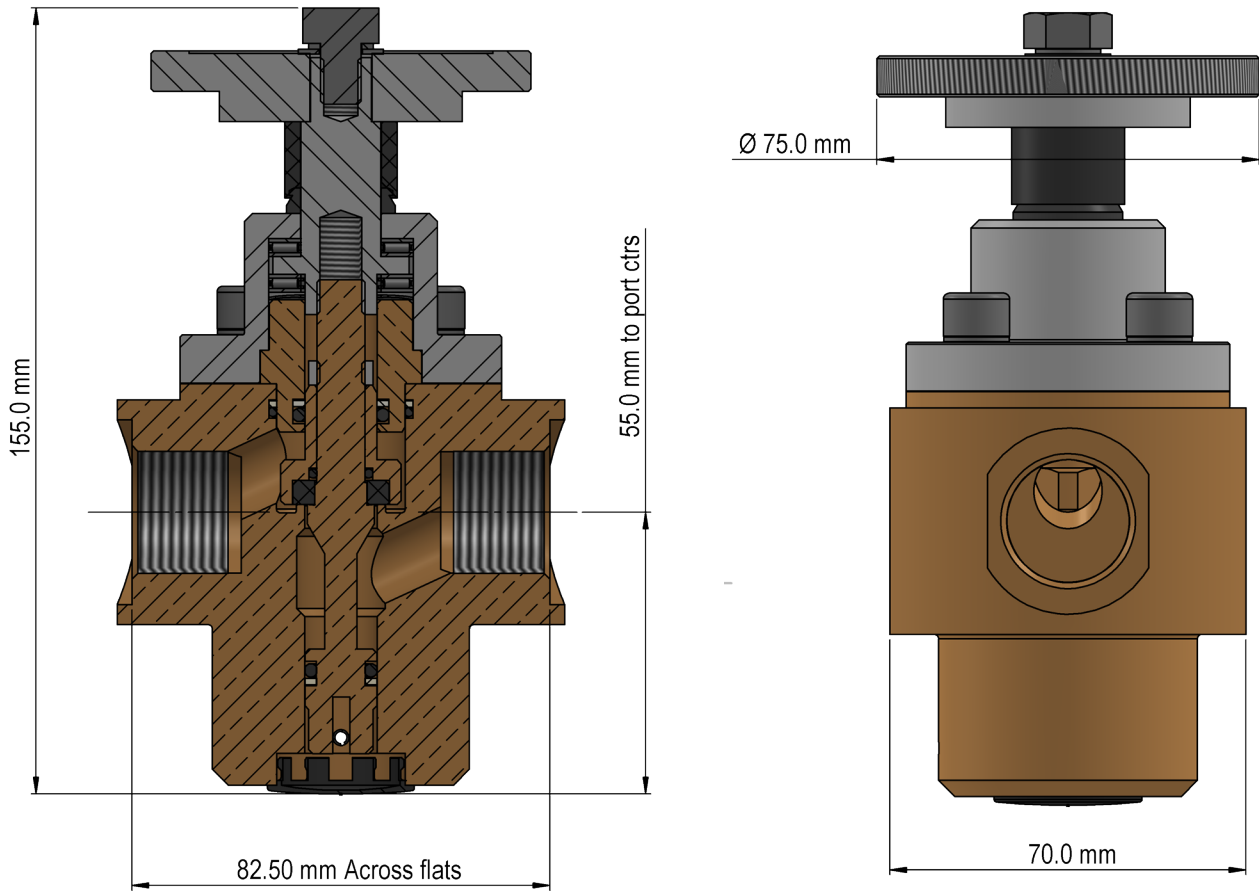
A range of spares kits are available, please contact our sales office or visit our website for details.

Regular service schedule recommended.



Specification and Ordering info

401 Series



Spares and service kits available, please contact our sales office or visit our website for details.

Material of construction	401 - 0 0 0 0 / 0	Seat type
1 Stainless Steel 316	<div style="display: flex; justify-content: space-around;"> <div style="text-align: left;"> <p>←</p> </div> <div style="text-align: center;"> <p>↓</p> </div> <div style="text-align: right;"> <p>←</p> </div> </div>	/1 Hard seat (Liquid service)
2 Brass/Bronze (O ₂ Service)		/2 Soft seat (Gas service)
3 Carbon Steel		Port thread form
4 Aluminium alloy 6082T6		0 BSP
Port form		1 NPT
0 Female	Port size	2 Bespoke
	0 3/4"	
	1 1"	
	2 Bespoke	

Example part number: 401-2001/2 : Brass/bronze construction, female 3/4" NPT ports, soft seat

All of our products are constantly assessed for possible improvements and the specifications listed here are subject to change. Please ensure you have the latest issue...

