

Compact globe valve

400 Series

420 bar
max inlet

0-420 bar
outlet range

Compact
design

Globe
pattern

Liquid or gas
service

400 Series - Compact globe valve

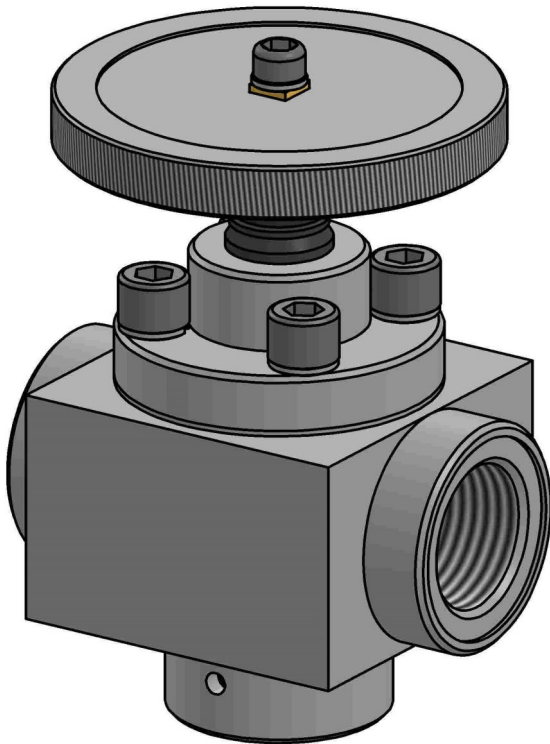
The 400 series is a range of high pressure, non-rising stem globe pattern stop valves.

Suitable for both liquid and gas applications. The balanced non-rising stem design ensures repeatable, positive shut of requiring only minimal hand torque to operate.

Coming as standard with a 3/8" nominal bore and a wide range of material, porting and trim options, the 400 series offers the ultimate shut off control in the most demanding situations.

The rugged design and construction, utilising a time proven design provides years of trouble free, reliable service.

Spares kits and factory servicing available.



Specification

Max Inlet Pressure	420 Bar
Outlet Pressure Range	0 – 420 Bar
Cv	3.0
Design Proof Pressure	200% MAWP
Seat Leakage	ANSI/FCI 70-3

Features and benefits

- Suitable for Liquid and gas applications
- Positive shut off up to 420 bar
- A variety of Material and porting options available
- Rugged, reliable design
- Non-rising stem design requiring minimal hand torque to operate

Options

Materials of Construction	Stainless Steel 316 Brass/Bronze (O2 service) Aluminium alloy 6082 T6
Porting	1/2" BSP/NPT 3/8" BSP/NPT 3/4" BSP/NPT

A range of spares kits are available, please contact our sales office or visit our website for details.

Regular service schedule recommended.

JRE Precision Ltd
t/a Presreg Valves

Designed and manufactured in the UK



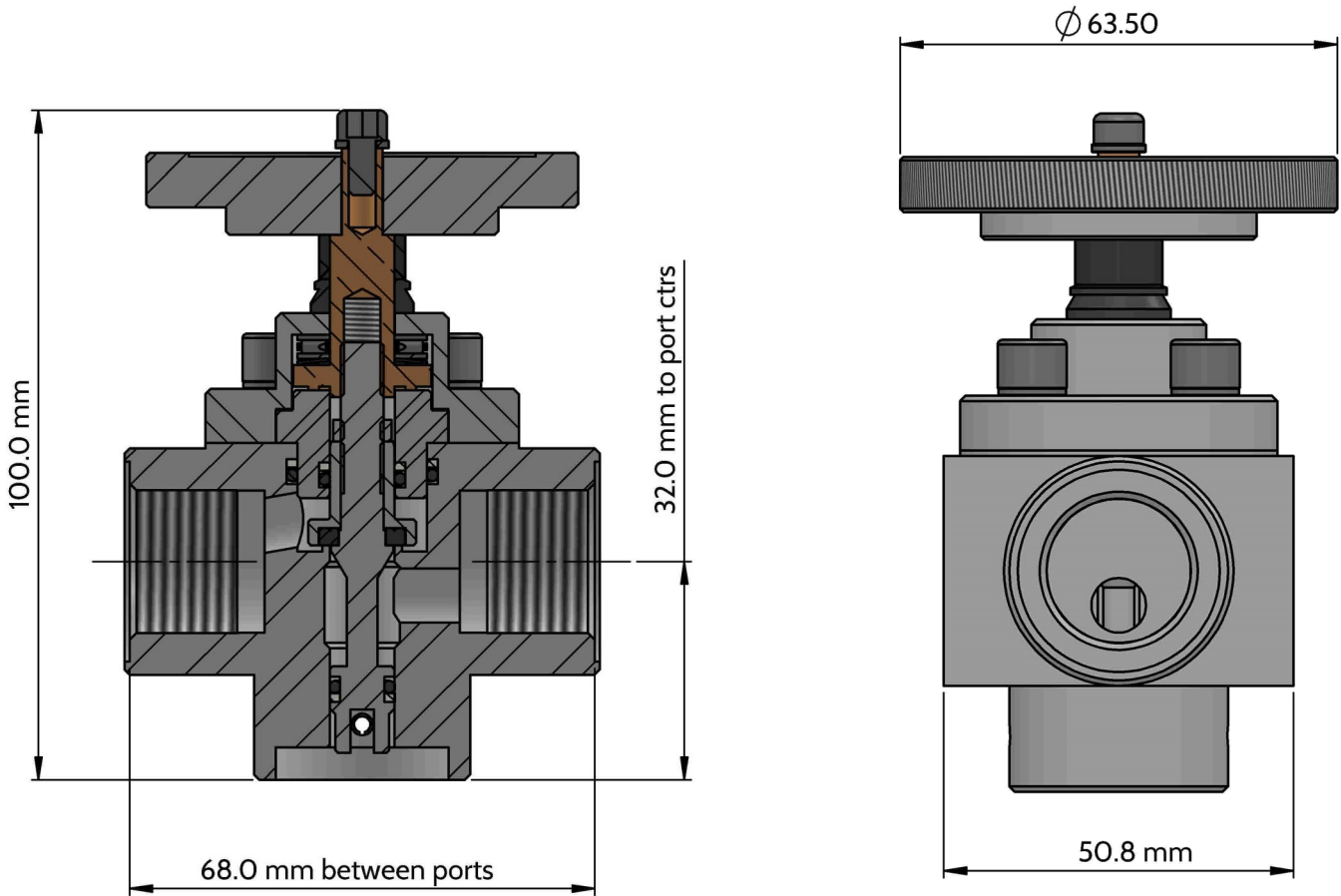
18 Bakewell Road, Loughborough

Leicestershire, England LE11 5QY

Tel: 01509 610580 Email: info@jreuk.com Web: presreg.com

Specification and Ordering info

400 Series



Spares and service kits available, please contact our sales office or visit our website for details.

400 — 0 0 0 X

Material of construction	
1	Stainless Steel 316
2	Brass/Bronze (O2 Service)
3	Carbon Steel
4	Aluminium alloy 6082T6

Port size	
1	1/2"
2	3/8"
3	Bespoke

Seat type	
S	Soft seat (Gas service)
H	Hard seat (Liquid service)

Port thread form	
1	BSP
2	NPT
3	BSPT
4	Bespoke

Example part number: 400-110S: Stainless steel 316 construction, female 1/2" BSP ports, soft seat.

All of our products are constantly assessed for possible improvements and the specifications listed here are subject to change. Please ensure you have the latest issue...

