



# Pressure Regulator

# 100 Series

**420 Bar  
Max Inlet**

**0-170 Bar  
Outlet Range**

**Suitable for  
O<sub>2</sub> or H<sub>2</sub> service**

**Liquid or gas  
Service**

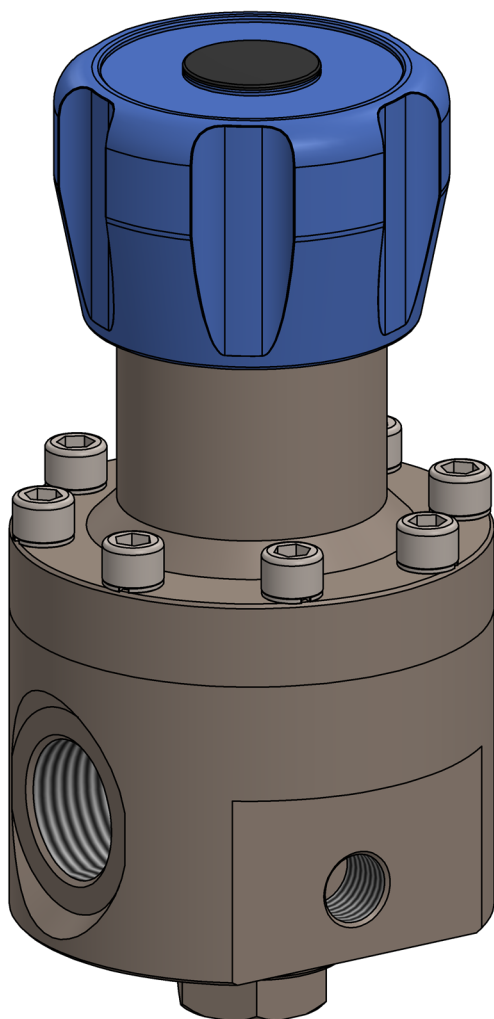
**3.0 Cv**

## 100 Series — Spring loaded pressure regulator

The Presreg valve series 100 offers a comprehensive range of high flow, hand adjustable, downstream control regulators offering accuracy and repeatability over a wide range of outlet pressures.

Utilising diaphragm sensing for pressures up to 10 bar & piston control for pressures up to 170bar with a choice of material options and port size options. Suitable for liquid or gas service, with O<sub>2</sub> material options and cleaning available as well as a hydrogen compatible material option.

Bespoke material and porting configurations can also be supplied. Spares & service kits available.



### Specification

<b>Max Inlet Pressure</b>	420 Bar
<b>Outlet Pressure Range</b>	0 — 170 Bar
<b>Cv</b>	3.0
<b>Design Proof Pressure</b>	200% MAWP
<b>Seat Leakage</b>	ANSI/FCI 70-3

### Features and benefits

- **Reliable, time proven design**
- **Modular construction allows easy servicing**
- **Stainless steel, Brass and Aluminium Bronze material options available**
- **Outlet pressure range, material and port size options.**
- **Diaphragm or Piston sensing option off fine control over a wide range of outlet pressures.**
- **Spares available**

### Options

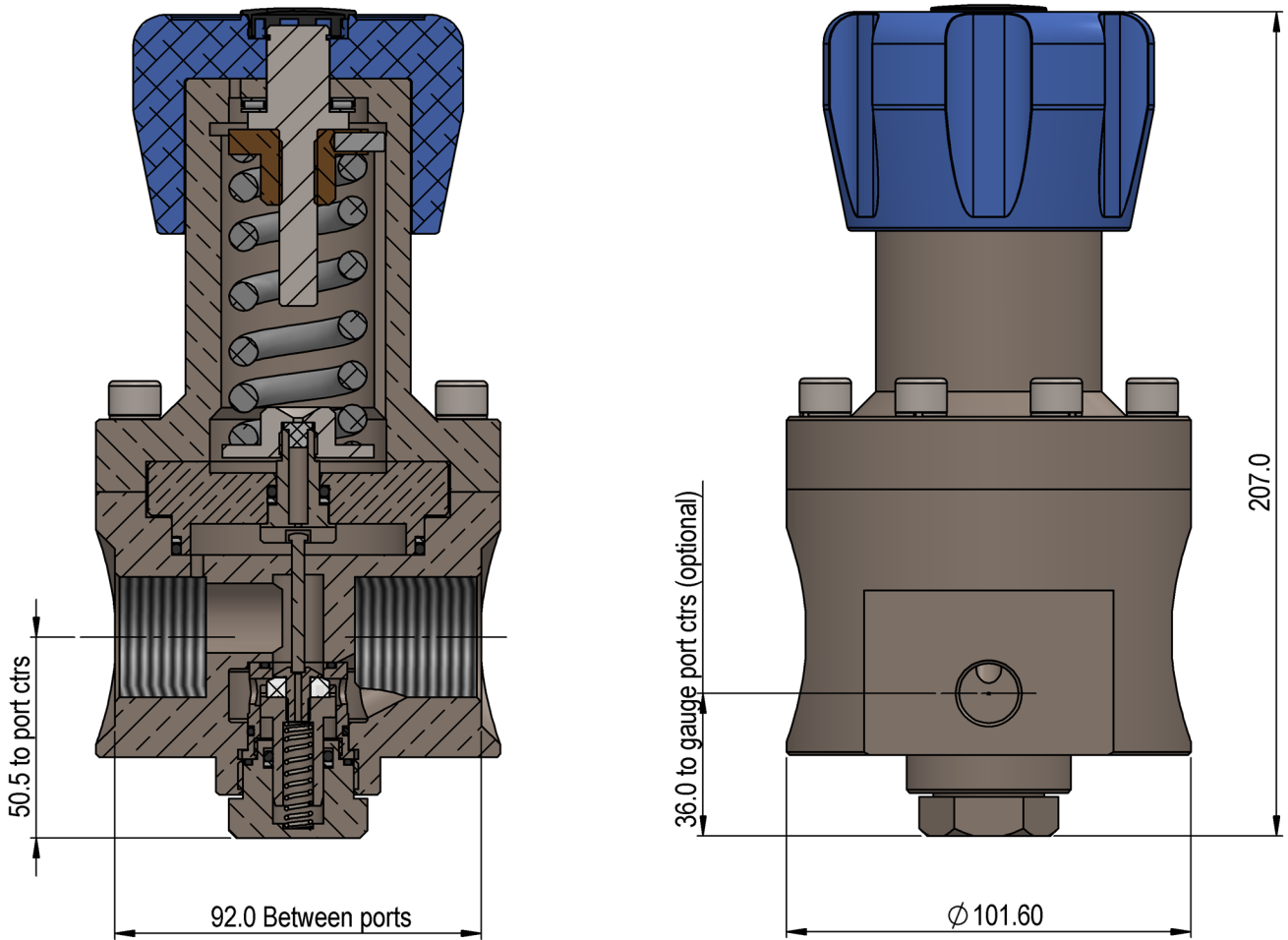
<b>Materials of Construction</b>	Stainless Steel 316 Brass (O <sub>2</sub> service) Aluminium Bronze
<b>Porting</b>	1" BSP/NPT 3/4" BSP/NPT Port adaptors available down to: 1/4" BSP/NPT
<b>Outlet pressure range options</b>	0 — 3.5 bar (diaphragm sensed) 0 — 7 bar (diaphragm sensed) 0 — 10 bar (diaphragm sensed) 0 — 20 bar (piston sensed) 0 — 70 bar (piston sensed)





# Pressure Regulator

# 100 Series



Spares and service kits available, please contact our sales office or visit our website for details.

Outlet pressure range	
1	0 — 3.5 bar (diaphragm sensed)
2	0 — 7 bar (diaphragm sensed)
3	0 — 10 bar (diaphragm sensed)
4	0 — 20 bar (piston sensed)
5	0 — 70 bar (piston sensed)
6	0 — 170 bar (piston sensed)

Material of construction	
1	Stainless Steel 316
2	Aluminium Bronze
3	Brass (O <sub>2</sub> Service)
4	Bespoke

Port thread form	
1	BSP
2	NPT
3	BSPT
4	Bespoke

Port size	
1	3/4"
2	1"
3	> 3/4" with port adaptor
4	Bespoke

Additional options	
0	No gauge ports
1	Inlet gauge port only
2	Outlet gauge port only
3	Inlet & outlet gauge ports

**100 — 0 0 0 0 0**

Arrows from the code point to the corresponding tables above.

All of our products are constantly assessed for possible improvements and the specifications here are subject to change without notice.

