

# Globe valve

# 404 Series

280 bar  
max inlet

0-280 bar  
outlet range

High flow  
capacity

Globe  
pattern

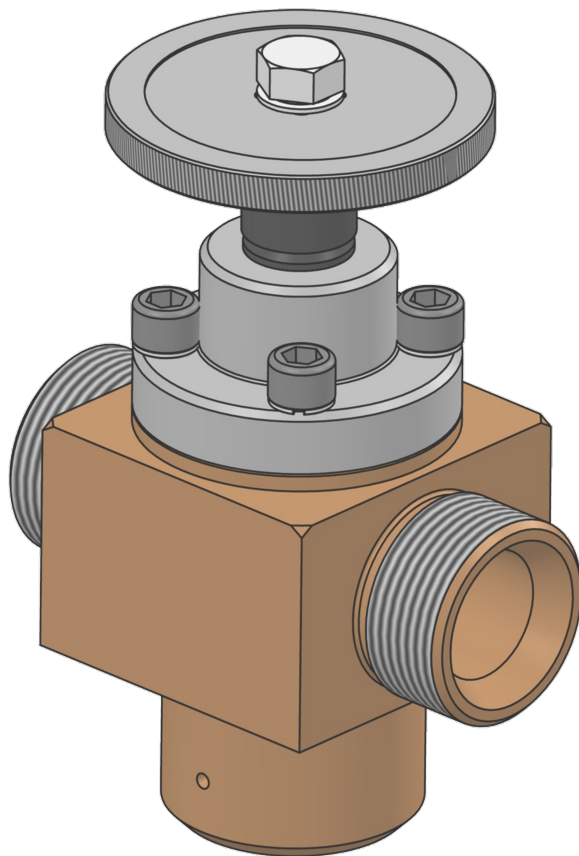
Liquid or gas  
service

The Series 404 range of high pressure, non-rising stem, fully balanced stop valves provides ultimate shut-off control in the most demanding situations.

Suitable for both LIQUID and GAS duty these valves offer repeatable, positive shut-off using minimal hand torque.

Available in port sizes 3/4" through 1-1/2" male or female and a choice of thread forms this rugged construction, globe pattern design provides years of trouble free service.

Special connectors and a variety of material options suitable for OXYGEN, HELIUM, HYDROGEN, ETHYLENE, and CO2 can be supplied.



## Specification

Max Inlet Pressure	280 Bar
Outlet Pressure Range	0 – 280 Bar
Cv	5.0
Design Proof Pressure	200% MAWP
Seat Leakage	ANSI/FCI 70-3
Dimensions	115 x 70 x 160 mm
Weight	3.0 kg

## Features and benefits

- Suitable for Liquid and gas applications
- Positive sealing up to 280 bar
- A variety of Material and porting options available
- Rugged, compact design
- Non-rising stem design requiring minimal hand torque to operate
- 3/4" Nominal bore

## Options

Materials of Construction	Stainless Steel 316 (H <sub>2</sub> service)
	Brass/Bronze (O <sub>2</sub> service)
	Carbon Steel
	Aluminium alloy 6082T6
Porting	3/4" BSP/NPT
	1" BSP/NPT
	1 1/4" BSP/NPT

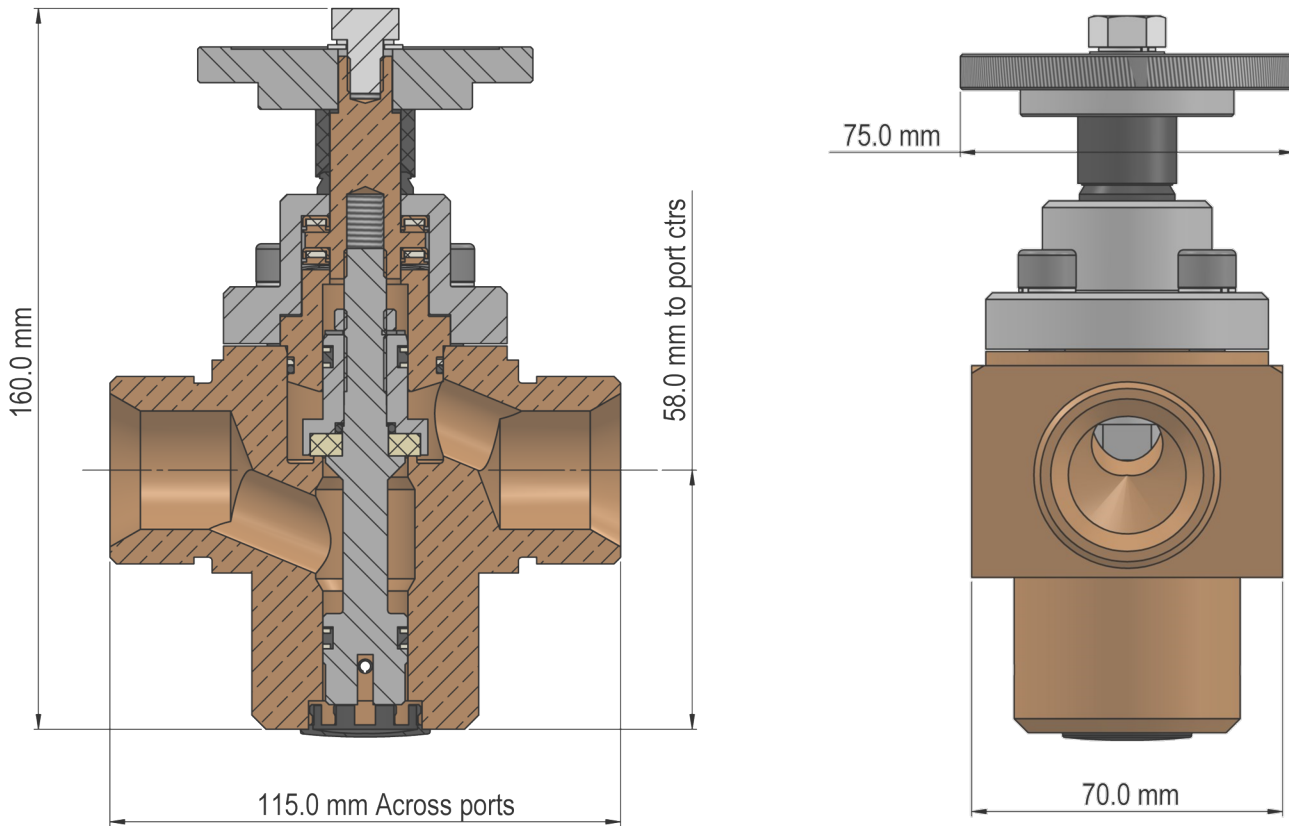
A range of spares kits are available, please contact our sales office or visit our website for details.

Regular service schedule recommended.



# Specification and Ordering info

# 404 Series



*Spares and service kits available, please contact our sales office or visit our website for details.*

<b>Material of construction</b>	<b>404 - 0 0 0 0 / 0</b>	<b>Seat type</b>
1 Stainless Steel 316	<div style="display: flex; justify-content: space-around;"> <div style="text-align: center;">             ↓              Port form              1 Male           </div> <div style="text-align: center;">             ↓              Port size              1 1 1/4"              2 1"              3 3/4"              4 Bespoke           </div> <div style="text-align: center;">             ↓              Port thread form              0 BSP              1 NPT              2 Bespoke           </div> </div>	/0 Hard seat (Liquid service)
2 Carbon Steel		/1 Soft seat (Gas service)
3 Brass/Bronze (O2 Service)		
4 Aluminium alloy 6082T6		

**Example part number: 404-3110/1 : Brass/bronze construction, male 1 1/4" BSP ports, soft seat**

*All of our products are constantly assessed for possible improvements and the specifications listed here are subject to change. Please ensure you have the latest issue...*

