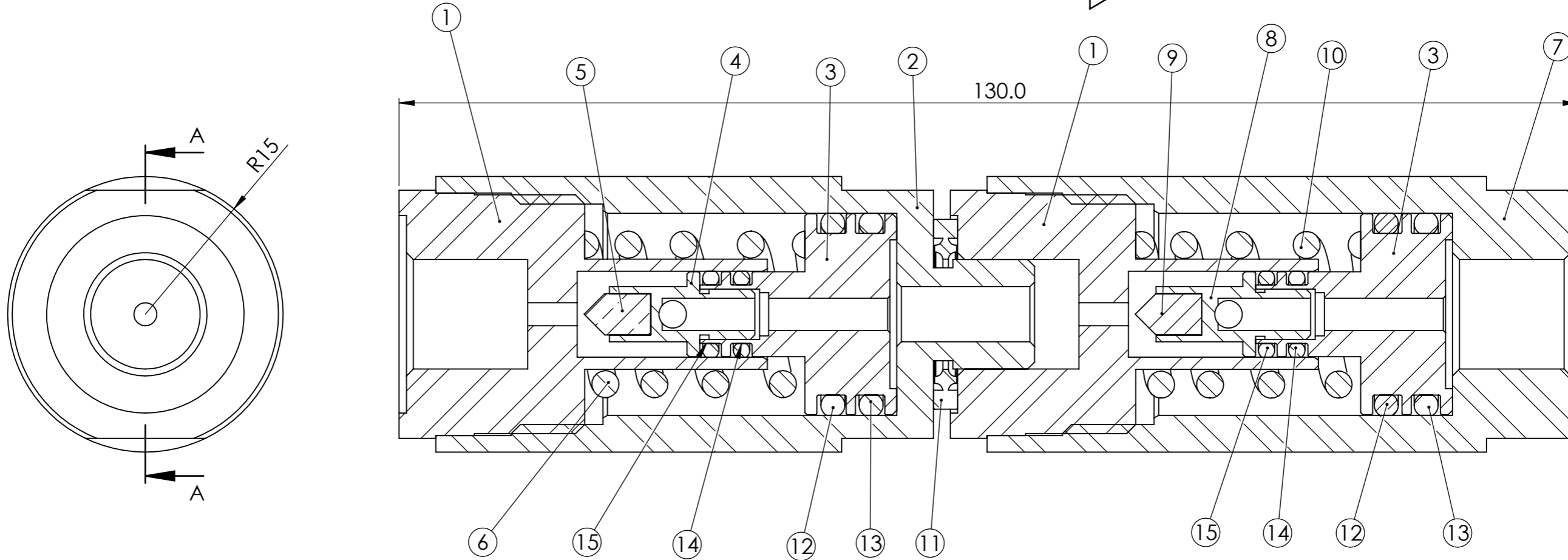
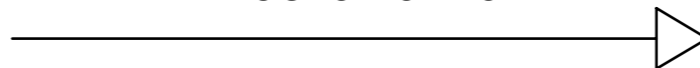


8 7 6 5 4 3 2 1

Direction of Flow



SECTION A-A
SCALE 2 : 1

Number	Part Number	Issue	Description	Qty	Mat'l
1	701-3002	12	Inlet Connector - 1/4" BSP	2	St. Steel 316L
2	701-3003	12	Outlet Body	1	St. Steel 316L
3	701-3004A	12	Piston Large End	2	St. Steel 316L
4	701-3004B	12	Piston Small End	1	St. Steel 316L
5	701-3006	12	Seat - Peek	1	PEEK - Virgin
6	701-3007/XX	BO	Spring - XXXX lb/in	1	X
7	702-3003	12	Outlet Body - 1/4" BSP	1	St. Steel 316L
8	702-3004B	12	Piston Small End	1	St. Steel 316L
9	702-3006	12	Seat - PTFE	1	PTFE - Virgin
10	702-3007/X	BO	Spring - XXXX lb/in	1	X
11	843-2639900	BO	1/4" Bonded rubber seal	1	St. St/EPDM
12	800-1413115	BO	115 EPDM O ring	2	EPDM - 70 shore
13	800-1628115	BO	115 Encapsulated O ring	2	VMQ/PTFE
14	800-1413010	BO	010 EPDM O ring	2	EPDM - 70 shore
15	800-1628010	BO	010 Encapsulated O ring	2	VMQ/PTFE

SPECIFICATION

Type Number	703-3
Service pressure	70.0 MPa
Maximum Operating Pressure	87.5 MPa
Outlet Pressure	0 - 2.0 MPa
Body Material	Stainless Steel 316L
Seal Material	EPDM and VMQ/PTFE
Max Flow Rate	9.0 kg/h
Port Configuration	1/4" BSP

Issue: 12

Date: 11/07/22

DRN BY: AHM

CHKD BY: JRE

Doc No. D7

H2 Regulator - GENERAL ASSEMBLY

TITLE: 1/4" BSP

PART: 703-3000-XX

H2 TECHNOLOGY LTD

SHEET: 1 of 1

SIZE: A3



8 7 6 5 4 3 2 1