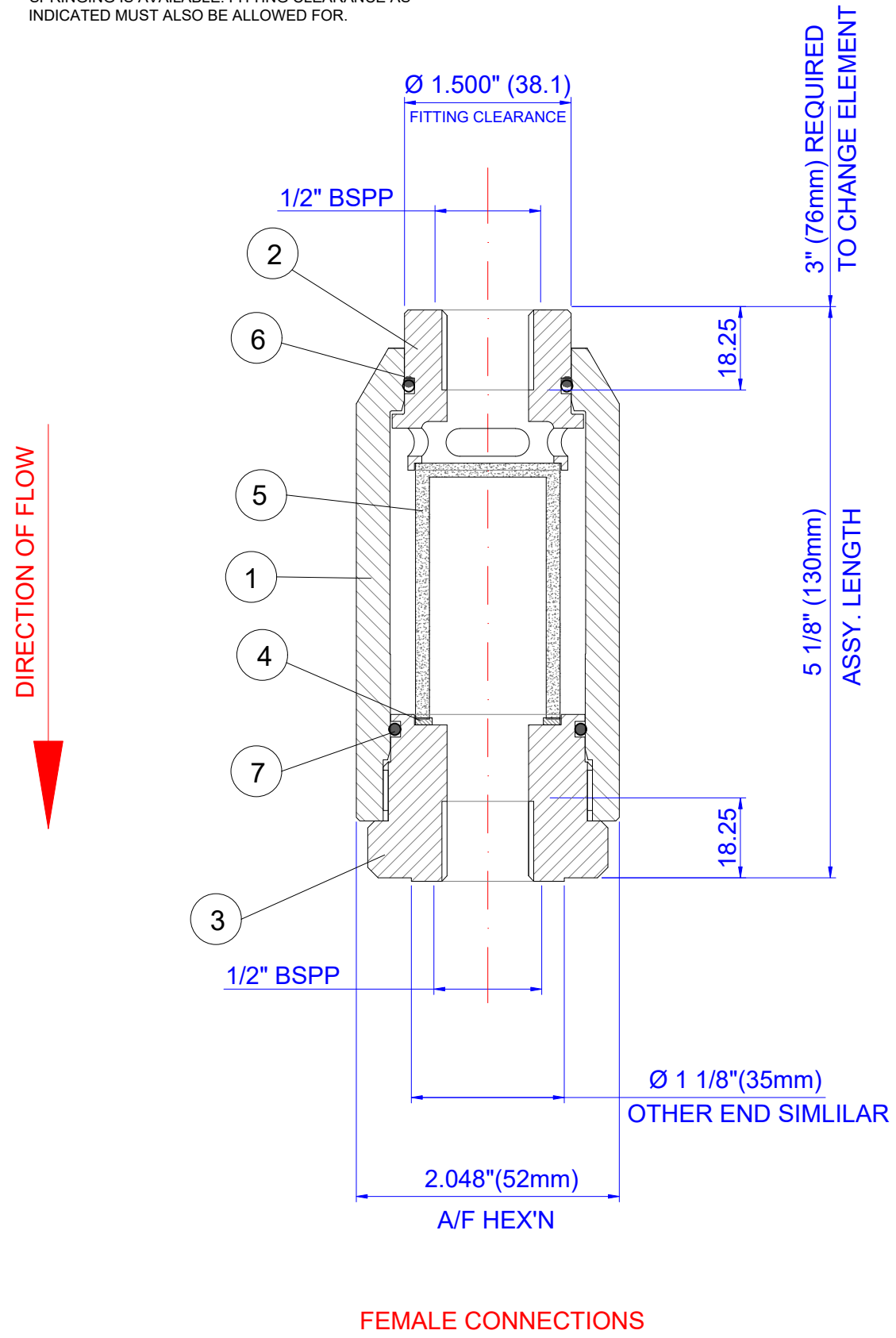


THIS FILTER IS CAPABLE OF ELEMENT CHANGE WHEN FITTED INTO A PIPELINE IF 3"(76mm) OF MOVEMENT OR PIPE SPRING IS AVAILABLE. FITTING CLEARANCE AS INDICATED MUST ALSO BE ALLOWED FOR.



REQ'D SPARE	ITEM	PART No	DESCRIPTION	QTY	MATERIAL	FINISH
	1	200-3602	BODY	1		SELF
	2	200-3603/3	INLET CONNECTOR	1		SELF
	3	200-3604/3	OUTLET CONNECTOR	1		SELF
	4	200-3008	WASHER	1		SELF
	5	200-3007/2	FILTER ELEMENT	1		SELF
	6	1806 - 125	O RING - 125	1		SELF
	7	1806 - 129	O RING - 129	1		SELF

**PRESREG ENGINEERING**  
(Trading name of JRE Precision Ltd)

TITLE  
**200 SERIES IN-LINE FILTER**

DRAWING No.  
200-6234 GA  
DATE 05/11/15